

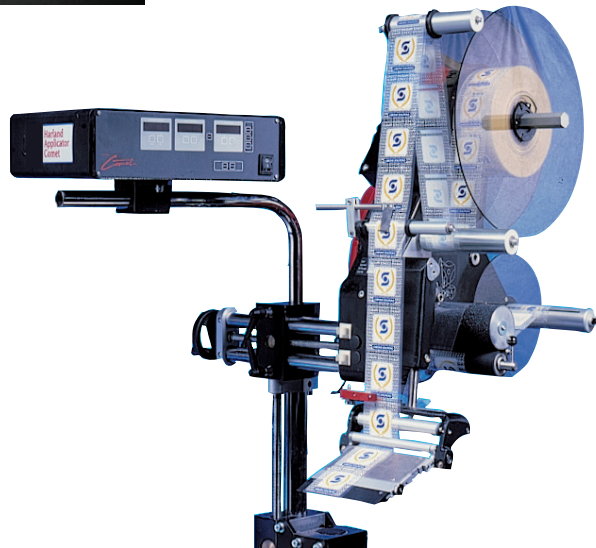
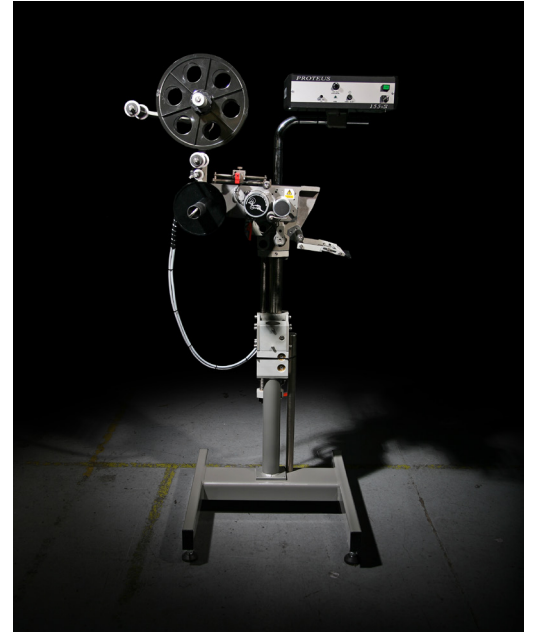
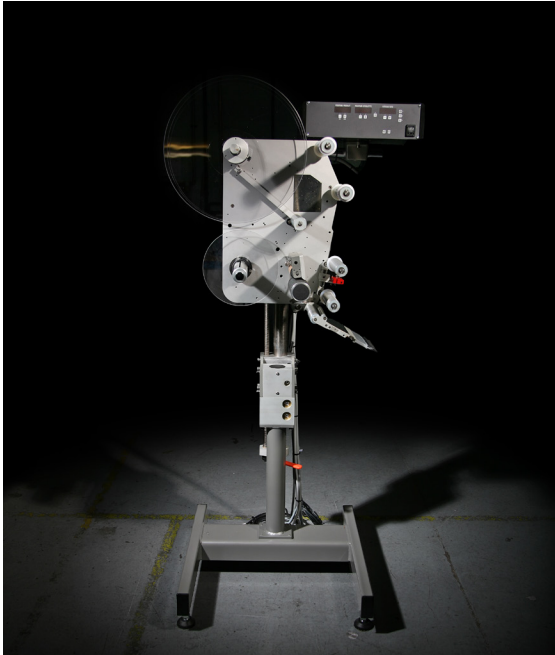


# Accraply

A Barry-Wehmler Packaging Company

## Harland Self-Adhesive Labelling Systems

### Applicators



A comprehensive range to meet all production line requirements. The 'Harland' range of PS-label applicators has been designed and manufactured to rigorous quality standards to ensure optimum compatibility and conformity. With a record of trouble-free installation world-wide, they can handle applications from price marking and promotional labelling to highly decorative branding at varying speeds and different configurations.

They can be supplied as stand-alone units, integrated into existing production lines or as a fully automated system with suitable product handling, conveying and finishing units.

#### Accraply

9350 W Broadway Ave Ste 190  
Minneapolis MN 55445 USA

t. +1 (763) 557-1313  
[accraply.com](http://accraply.com)



# Harland Self-Adhesive Labelling Systems

## Versatile, flexible applicators offering high reliability and performance

### Harland Proteus

Designed to be one of the most versatile and flexible applicators in the market place. Its reliability and uncomplicated design make it easy to operate with a minimum of service and maintenance.

- Easily maintained
- Variable speed
- Range of modular accessories
- Stepper motor drive
- Capable of accepting most types of label stock
- Easily mounted to other primary packaging equipment
- Accepts most types of coding/ marking equipment

### Harland Proteus

Utilising micro-processor control, this applicator can be interfaced with the most sophisticated primary packaging equipment and/or production line specifications. Important enhancements include product memory capability up to 100, more robust design and larger label reel capacity of 400mm reducing downtime and adding to greater line efficiency.

- Compact
- 400mm OD reels
- User-friendly
- Micro-processor control
- Graduated scales
- Accuracy +/- 0.5mm beak edge
- 'Blow-on' option for easily damaged product.

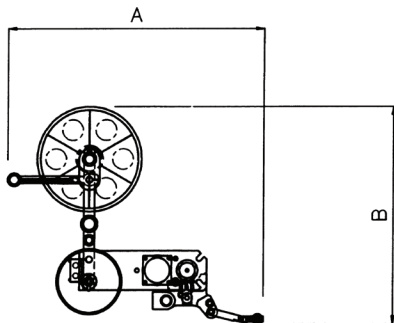
### Harland Comet

Innovative and highly advanced, offering outstanding performance for 21st century packaging lines. Can be supplied as a self-contained unit fitted to any 'Harland' automatic linear or rotary labelling system or as special customised systems.

- Robust
- Simple to operate
- Motion or Micro-processor control
- 400mm OD reels
- Quick release waste removal system
- Product memory capacity of 100
- Servo and Stepper motor drive
- Security code protection to prevent unauthorised use
- Accuracy +/- 0.5mm beak edge

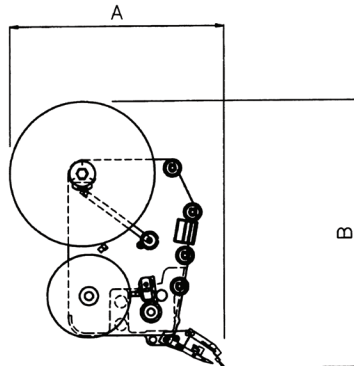
Label Web Width Min	As low as 8 mm
Label Web Width Standard	155 mm
Label Web Width Max	Up to 205 mm
Label Length Min	10 mm
Label Length Max	Unlimited
Label Reel Core	As low as 44 mm
Label Reel Diameter	Up to 400 mm
Electrical Supply	110/240 V Single Phase AC, 50/60 Hz
Motor	2 stack stepper or Servo
Weight	15-25 kg
Label Web Speed	28M/Min - 120M/Min
Beak Edge Accuracy	As low as +/-0.5

*\*All specification and tooling requirements are subject to Accraply evaluation of all label and product samples. Specifications shown reflect standard machine capabilities. Accraply can also meet other specification requirements. Please call for details.*



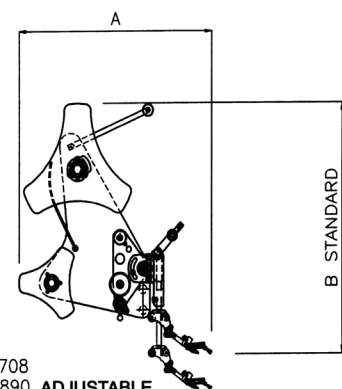
A=800  
B=660

Plan View (All dimensions in mm)



A=630  
B=780

Front View (All dimensions in mm)



A=708  
B=890 ADJUSTABLE

Accraply

Trine

Stanford

Graham

Sleevit

Harland